

ST

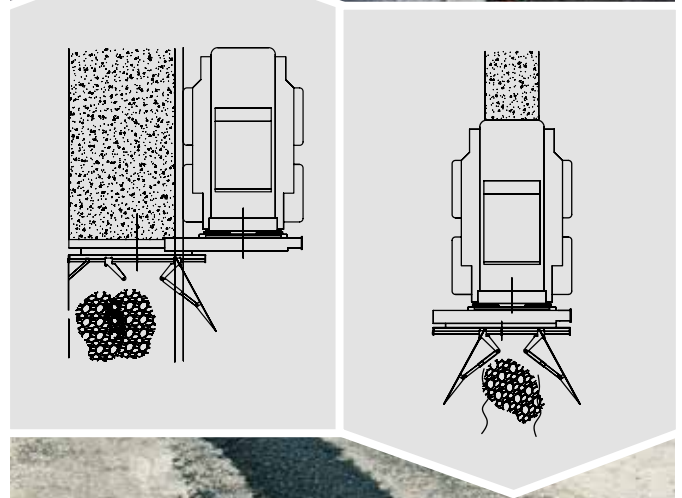
ASPHALT PAVERS

PATENT
SIMEX

For laying asphalt and waste materials.



- Designed to lay asphalt or waste material to fill fixed-section trenches, create sidewalks or widen existing roadways.
- For laying asphalt on sidewalks.
- For laying asphalt over filled trenches.
- For widening roadways.
- For backfilling trenches.
- For laying subbase material.
- Easy to use.
- Easy to clean.
- Lightweight transport.
- Simex asphalt pavers get the job done fast, while assuring safe, continuous and clean paving.
- Working precision.
- Lateral extension outside wheel allows sidewalk paving or road widening without having to pass prime mover over laid asphalt.
- **Lays asphalt on sidewalks or widens roadways** without having to pass prime mover over laid material thanks to lateral extension outside the wheel.





Sidewalk paving

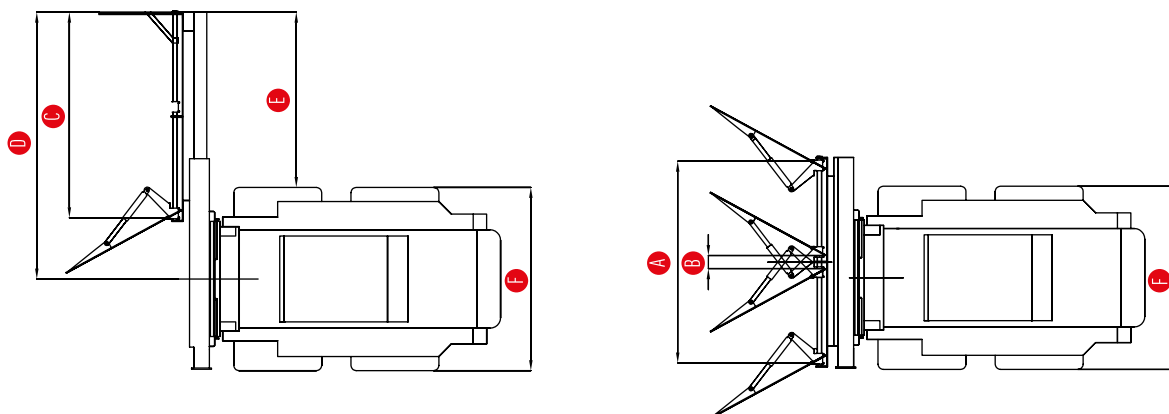


Road widening





Laying of subbase material



TECHNICAL SPECIFICATIONS

	ST 160	ST 200	
A	1500	1900	mm
B	125	125	mm
C	1560	1960	mm
D	1800	2550	mm
E	1025	1675	mm
F	1550	1750	mm
Paving width adjustment	hydraulic		
Asphalt width adjustment (independent on RH-LH side)	mechanical (screw) or electrical (optional)		
Asphalt thickness	0-100		mm
Transverse tilt	5°		
Locking device	yes		
Side shift	hydraulic		
Average working speed (trenching)	50 - 120		m/min
Operating weight (1)	610	675	kg
Required oil flow and pressure	45 - 200	45 - 200	l/min - BAR

(1) User is responsible for ensuring that the equipment meets the prime mover's specifications and weight requirements